

R & C Agency (International) Pty Ltd

LEDROPE-12-__ (COLOUR)IP65

IP 65 WEATHER-PROOF 12V ROPE LIGHT

Description

Use high-brightness LEDs as lighting source on flexible PCB

- Length of each module can range from 3 LEDs (10cm) to 150 LEDs (500cm)
- Available in Cool White, Warm White, Blue and RGB.
- High ultraviolet resistivity
- This strip with special mounting clip and silicone gel, for fixing and connecting
- Totally waterproof (Resisting level: IP67)
- RoHS compliant version approval

Applications

This high-brightness LED lights for lines widely used in guesthouses, hotels, shopping malls Shop and the auxiliary lighting and atmosphere lighting, and decorative works for a variety of creative lighting and home to provide a wide range of choices.

LEDs (5550)

30PCs of LEDs per metre

Consumes 6 watts per meter at 12VDC

Various Colours (Blue, Cool White, Warm White, RGB) are available.

Technical Specification

IP Rating:

IP65

Standard Size:

6 meters in one roll

LED quantity:

30LEDs/m

PCB Material:

Flexible copper

Life span:

5,000 hours

Working Voltage:

Constant DC 12V

Connections and Able to be cut: Every 10cm (every Scissor Mark)

Cut sections can be reconnected by re-soldering or through easy connectors or through mating connectors (order separately).

Absolute Maximum Ratings at Ta=25°C

Colours Available	Voltage Range (V DC)	Power (w) V=DC12V	Operating Temperature (°C)	Storage Temperature (°C)
Blue	12±5%	7.8	+5 ... +50	-25 ... +85
White	12±5%	7.8	+5 ... +50	-25 ... +85
Warm White	12±5%	7.8	+5 ... +50	-25 ... +85

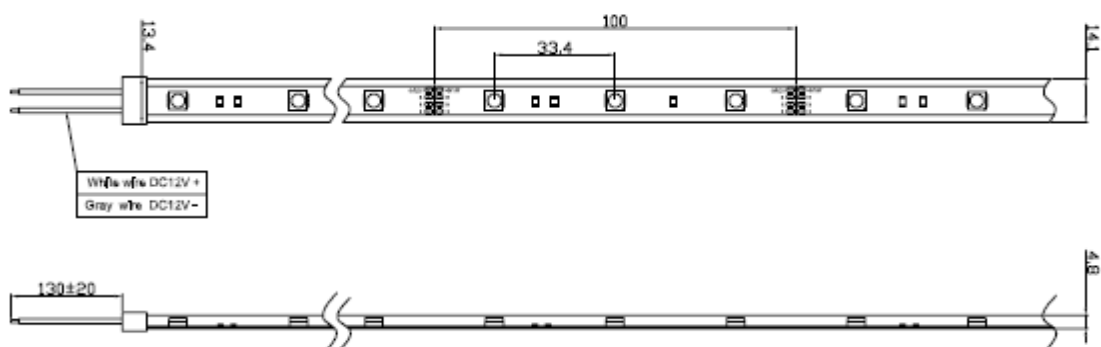
Electrical/Optical Characteristics at Ta=25°C

Part No.	LED Quantity	Emitted colour	Operating Voltage (V dc)	Current (mA)	Power	Wavelength (nm)	Viewing Angle	Luminous flux Φ_v (lm)
						Color TEMP(K)	(Per LED)	
						Typ.	Typ.	Typ.
LEDROPE-12-BL	30	Blue	12	600	7.2	470	140°	47
LEDROPE-12-CW	30	White	12	600	7.2	7000	140°	305
LEDROPE-12-WW	30	Warm White	12	600	7.2	3200	140°	239

Cautions

1. Agglutinating the terminal cap & tube by the silica gel at the end of the shortened strip, and lay it for one hour under room temperature 25°C. Installing the shortened strip after the gel is well dried lest affecting the waterproof performance.
2. the smallest unit (100mm-3 LEDs) can be removed by cutting with scissors between the designated soldering pads.
3. Avoiding the components on the PCB When installing the mounting clips, direct or indirect extrusion may damage the components.
4. The Min. bending radius is 10 mm, excessive bending would damage some components on the strips.
5. When fixing the strips by silicone gel, make sure no oil stain or dust existed at two sides because these sundries may influence the silica gel's agglutinating strength.
6. May there are some articles couldn't by agglutinated by silica gel, some antecedent tests may be needed before making use of the silicone gel.
7. If any query when using our product, please feel free to contact the sales staff in R & C Agency

Package Outlines



Assembly

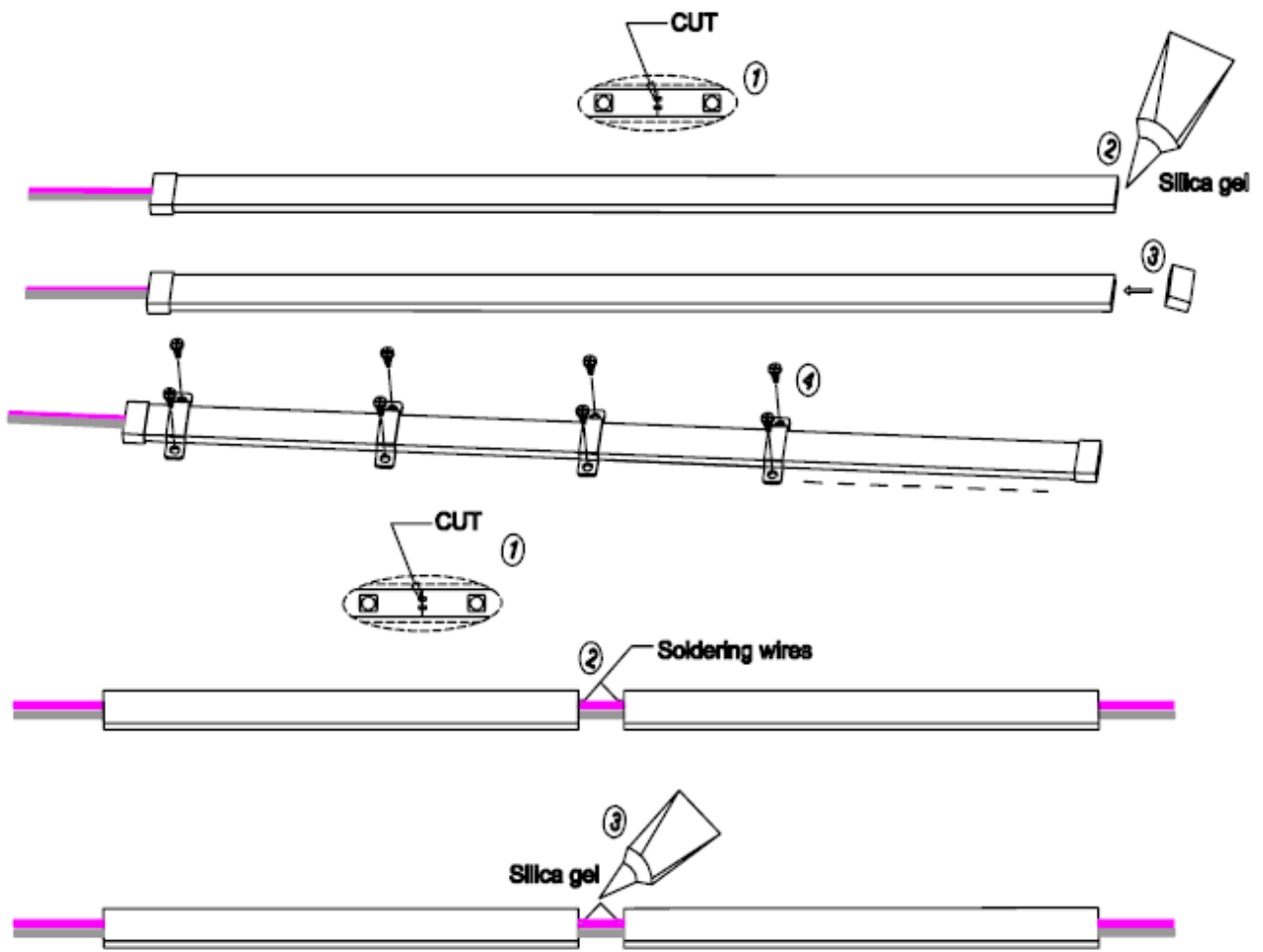


Fig1.

Fig2.

