

# High Power

# Single Color LED Lamp

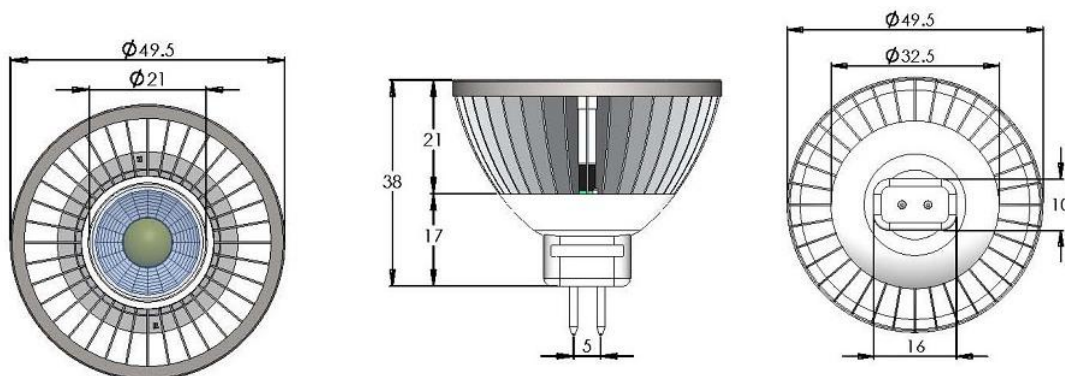
LED216-\_\_\_\_-V6

LED 216-\_\_\_\_-V6L



Model No.	LED216-____-V6		LED216-____-V6-L	
Voltage	12~18Vac / 12~24Vdc		12~18Vac / 12~24Vdc	
Current	< 600mA		< 600mA	
Power	6 W ±10%		6 W ±10%	
Lifespan	>20000 hours		>20000 hours	
Socket	MR16		MR16	
Color Temperature	WarW	2600 ~ 3300 K	WarW	2600 ~ 3300 K
	CoW	5300 ~ 7000 K	CoW	5300 ~ 7000 K
Options	<b>-N50 ( Beam angle 50° )</b>		<b>-L55 ( Beam angle 55° )</b>	
Lumen Flux	WarW	245 lm ±10%	WarW	235 lm ±10%
	CoW	260 lm ±10%	CoW	245 lm ±10%
Lumen / Watt	WarW	40 lm ±10% per watt	WarW	39 lm ±10% per watt
	CoW	43 lm ±10% per watt	CoW	41 lm ±10% per watt

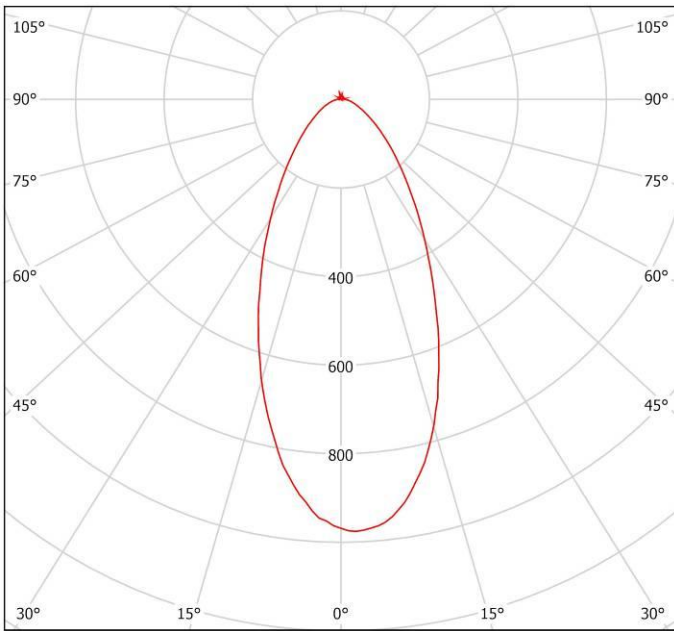
## < Dimension Diagram >



<Unit: mm>

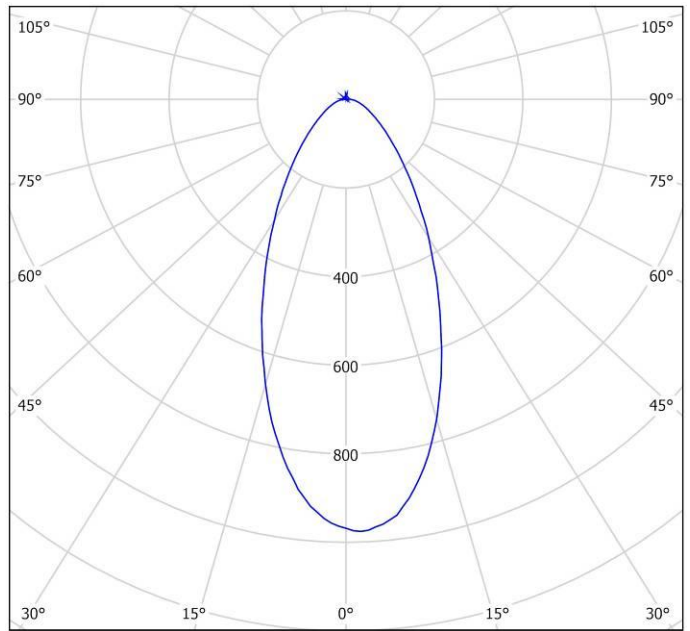
# Candlepower Distribution Curves

**LED216-\_\_\_-V6**



cd/klm  
— C0 - C180

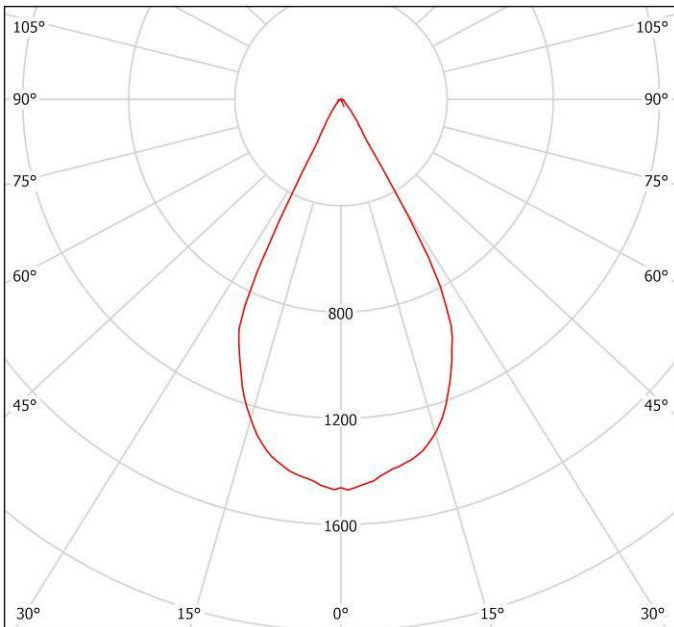
$\eta = 100\%$



cd/klm  
— C90 - C270

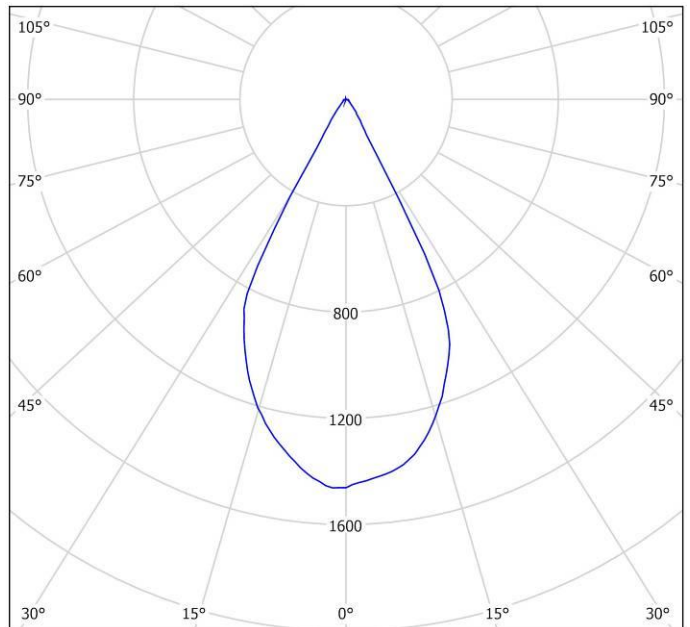
$\eta = 100\%$

**LED216-\_\_\_-V6-L**



cd/klm  
— C0 - C180

$\eta = 100\%$



cd/klm  
— C90 - C270

$\eta = 100\%$

# Candlepower Distribution Curves

## Illumination Distribution Charts



**Model No.: LED216-\_-\_-\_-V6**

260 lm	0cm	10cm	20cm	30cm	40cm	50cm	60cm	70cm	80cm	90cm	100cm
	330	328	295	220	162	105	72	50	35	24	9

Unit :lux

**Model No.: LED216-\_-\_-\_-V6L**

245 lm	0cm	10cm	20cm	30cm	40cm	50cm	60cm	70cm	80cm	90cm	100cm
	333	298	276	238	184	112	25	13	8	5	4

Unit :lux