

R & C Agency International Pty Ltd

Specification

LED/ES/PAR20CW

LED/ES/PAR20WW

LED/GU10PAR20CW

LED/GU10PAR20WW

TEL: (07) 3216 2888

FAX: (07) 3216 2999

WEB: www.rcagency.com.au

Email: sales@rcagency.com.au



PAR20 LED LAMPS

R & C 8 Watt PAR20 GU10 and ES based LED lamp was integrated with the most advanced LED sources, assembled with the key components of driver (power), thermal and optic, 8 Watt GU10 and ES LED provides the quantity and quality of light produced by traditional halogen lamp.

LED Source – Energy Saving, Trusty Life and True Colour

Selected R & C LED light source were manufactured by leading LED companies such as, Nichia, Cree and Lumileds. LED source which R & C collected is not less than 80lm/W and true colour, C.R.I + 75.

Driving Source – Energy Saving, Life, Reliability & Safety

R & C is an import company that imports drivers and controllers. To meet the life standard of LED and produce the most energy saving lamp source, all integrated drivers for R & C bulbs reach power efficiency 75 - 85%, components life >50K hr under 80 degrees centigrade. Our LED conformed to the EMI and safety principle in the advanced countries.

Thermal – Life, Reliability

A good thermal management for a LED lamp source was consisted by different

factors including LED emitting efficiency, driver efficiency, thermal design and materials characteristic.

Features

- High C.R.I > 75
- Long Life, min 20 Khrs up to 50K hrs
- Various beam angel: 201/2 degrees (40 degree)
- Replacement with 65W Halogen
- Energy Saving, Total power consumption up to 8 Watt
- No UV or IR
- RoHS Compliant



Specification

LED TYPE	COLOUR TEMP.	C.R.I./ MIN.	INPUT VOLTAGE	POWER CONSUMPTION	BEAM ANGLE 2θ1/2	LUMINOUS FLUX	LAMP HOLDER	LUMEN / WATT
NICHIA	2580K-3600K 4300K-5700K	>75	100 - 240VAC	8W - 9W	40	700 / 560	GU10 ES	78 / 62

Typical Illumination Characteristic

COLOUR	BEAM ANGLE 2θ1/2	CANDELA cd / klm	ILLUMINATION (LUX) / SPOT DIAMETER						
			30 cm	50 cm	100 cm	150 cm	200 cm	250 cm	280 cm
COOL WHITE	40	2230	--	--	--	--	--	--	--
WARM WHITE	40	1640	--	--	--	--	--	--	--

Electrical / Environmental Characteristic

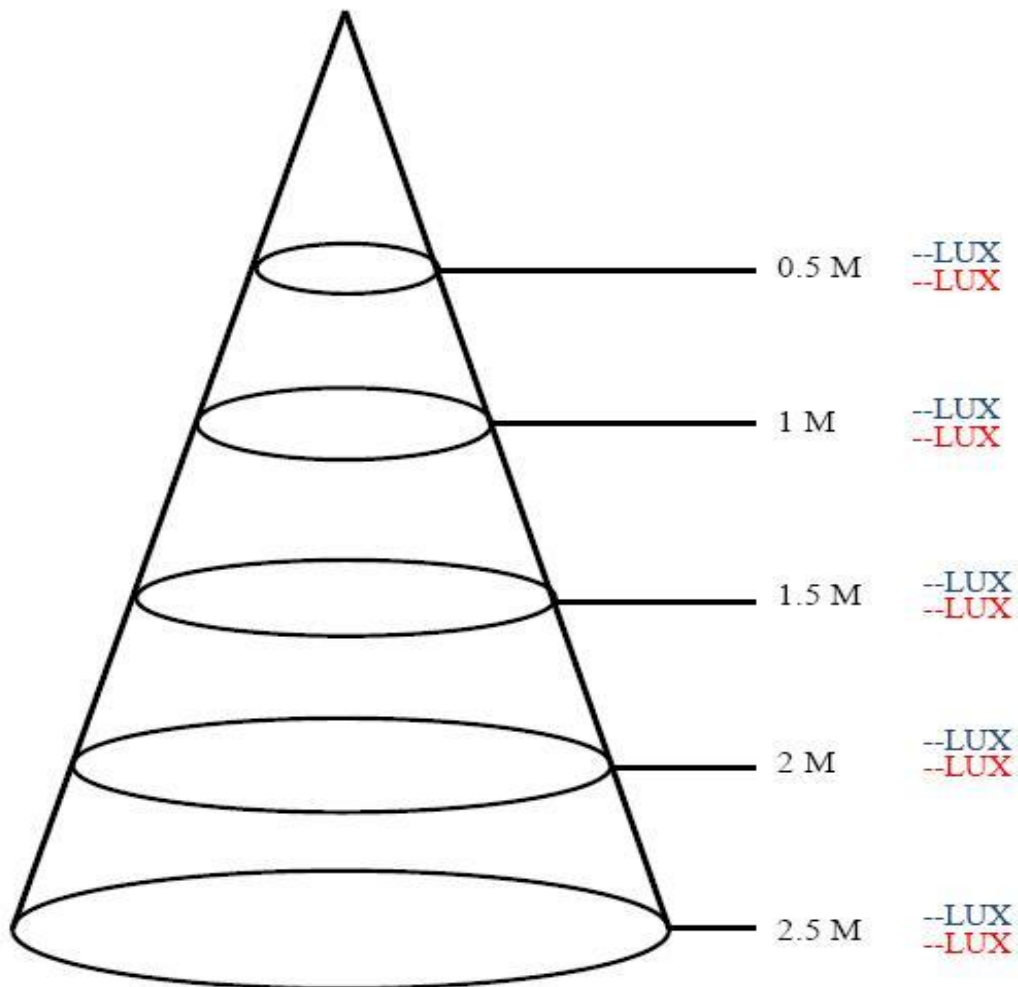
IF INPUT VOLTAGE	WORKING VOLTAGE	LED POWER CONSUMPTION	TOTAL POWER CONSUMPTION	OPERATING TEMPERATURE
220VAC	100 - 240AC	7W	8.0 - 9.0W	-40 DEGREES - +40 DEGREES C

1. Polar Diagram

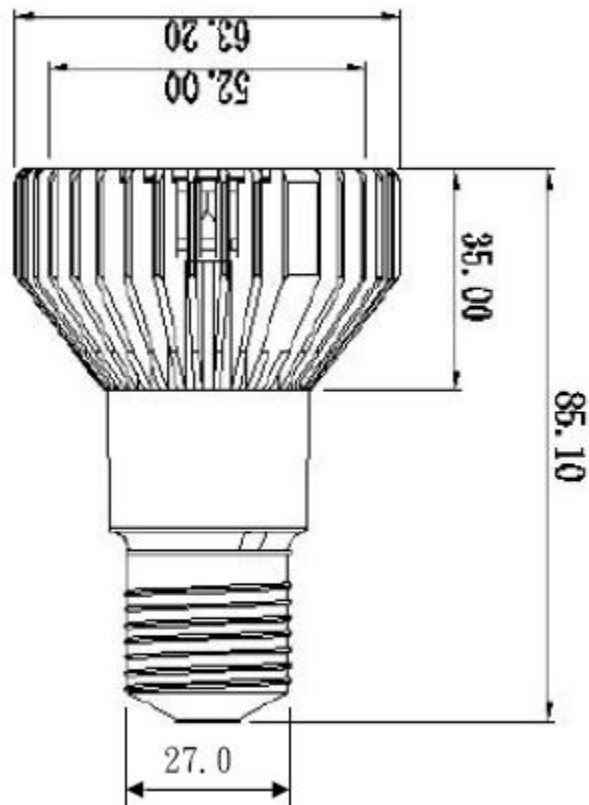
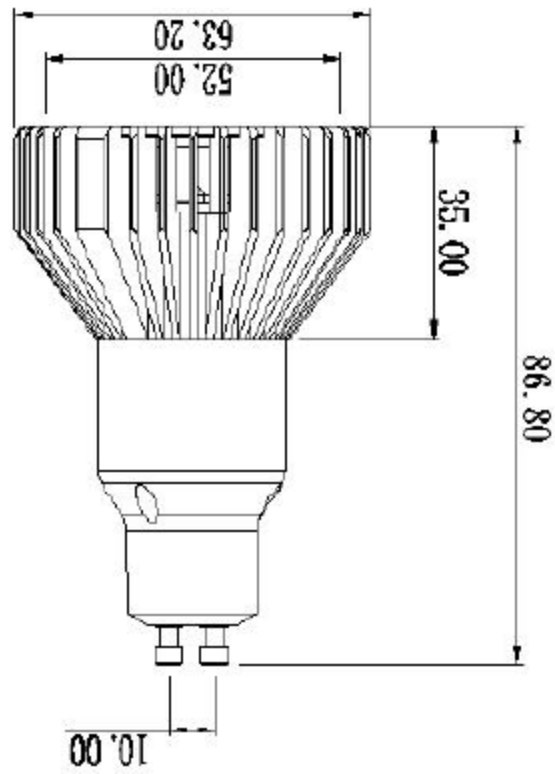
2. Certesian Diagram

N/A

N/A



Mechanical Dimension (mm)



Fixture Compatibility

The LED PAR20 lamp is not compatible with all PAR20 fixtures. Before installation, please read the following guidelines:

- PAR20 LED cannot be install in sealed fixtures
- PAR20 LED cannot be install in outdoor fixtures
- PAR20 LED is not designed for use in wet environment
- PAR20 LED cannot be install in a fixture which an integral primary optics to focus the light

Safety & Environment Specifications

PAR20 LED bulbs are manufactured to conform safety criteria for CE, FCC approbations & RoHS:

Certificated Mark	Item of certificated standard
CE	EMC: EN55015, EN61000-3-2, EN61000-3-3, EN61547 (IEC61000-4-2, IEC61000-4-3 IEC61000-4-4, IEC61000-4-5, IEC61000-4-6, IEC61000-4-8, IEC61000-4-11) LVD: EN60968-1, EN60598-1, EN61347-2-13
F.C.C	PART 15B
RoHS	BTRS0605180105 Test Standard: 2002/95/EC ; EPA3050B:1996, EN1122:2001, EPA3052:1996, EPA3060A, EPA7196, EPA7196, EPA3540C, EPA8270C



Life, Reliability and Lumen Maintenance

