

R & C Agency International Pty Ltd

Specification

LED/MR11/2WDL

LED/MR11/2WDL-L

LED/MR11/2WWW

LED/MR11/2WWW-L

TEL: (07) 3216 2888

FAX: (07) 3216 2999

WEB: www.rcagency.com.au

Email: sales@rcagency.com.au



2W MR 11 12VAC/DC LED

R & C 2 Watt MR11 LED lamp was integrated with the most advanced LED sources, assembled with the key components of driver (power), thermal and optic, MR11 provides the quantity and quality of light produced by traditional halogen lamp.

LED Source – Energy Saving, Trusty Life and True Colour

Selected R & C LED light source were manufactured by leading LED companies such as, Nichia, Cree and Lumileds. LED source which R & C collected is not less than 80lm/W and true colour, C.R.I + 75.

Driving Source – Energy Saving, Life, Reliability & Safety

R & C is an import company that imports drivers and controllers. To meet the life standard of LED and produce the most energy saving lamp source, all integrated drivers for R & C bulbs reach power efficiency 75 - 85%, components life >50K hr under 80 degrees centigrade. Our LED conformed to the EMI and safety principle in the advanced countries.

Thermal – Life, Reliability

A good thermal management for a LED lamp source was consisted by different factors including LED emitting efficiency, driver efficiency, thermal design and materials characteristic.

Features

- High C.R.I > 75
- Dimmable
- Long Life, min 20 Khrs up to 50K hrs
- Various beam angel: 201/2 degrees (15 degree)
- Replacement with 10-15W Halogen
- Energy Saving, Total power consumption up to 1.6 Watt
- No UV or IR
- RoHS Compliant



Specification

LED TYPE	COLOUR TEMP.	C.R.I./ MIN.	INPUT VOLATGE	POWER CONSUMPTION	BEAM ANGLE 2θ1/2	LUMENOUS FLUX	LAMPHOLDER	LUMEN / WATT
CREE	2580K-3500K 5500K-6500K	85/80	12VDCAC	1.7W	15	90/70	MR11	53 / 41

Typical Illumination Characteristic

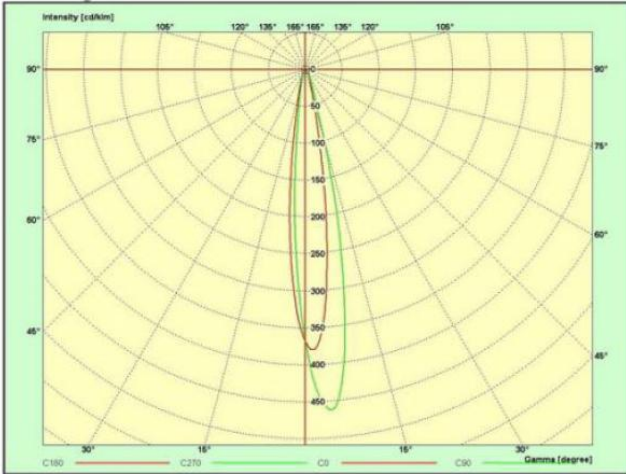
COLOUR	BEAM ANGLE 2θ1/2	CANDELA cd / klm	ILLUMINATION (LUX) / SPOT DIAMETER						
			30 cm	50 cm	100 cm	150 cm	200 cm	250 cm	280 cm
COOL WHITE	15	410	4260 / 20 cm	1620 / 25 cm	410 / 50cm	180 / 67cm	97 / 77cm	64 / 95cm	51 / 105cm
WARM WHITE	15	328	3408 / 20cm	1296 / 25 cm	328 / 50cm	144 / 67cm	72.8 / 77cm	51.2 / 95cm	40.8 / 105cm

Electrical / Environmental Characteristic

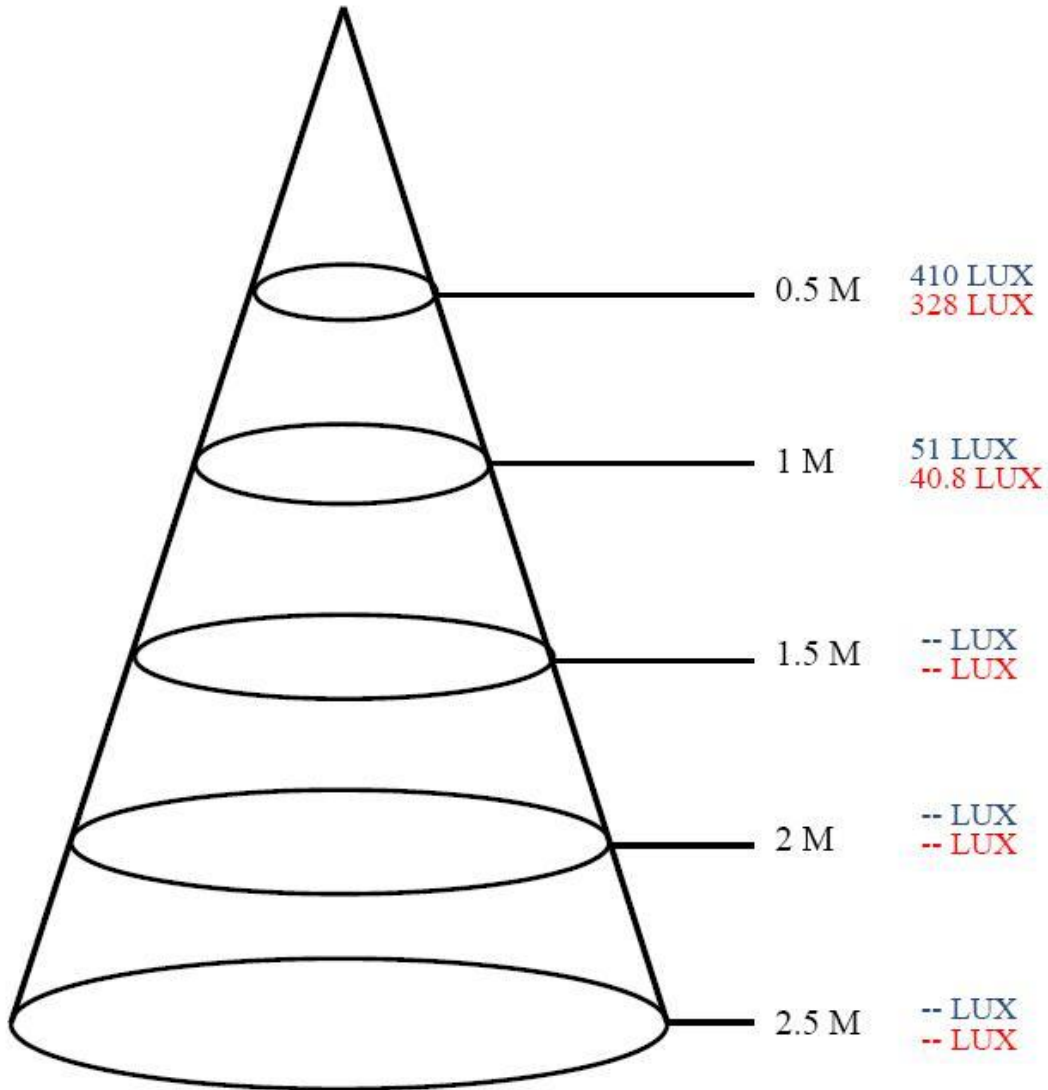
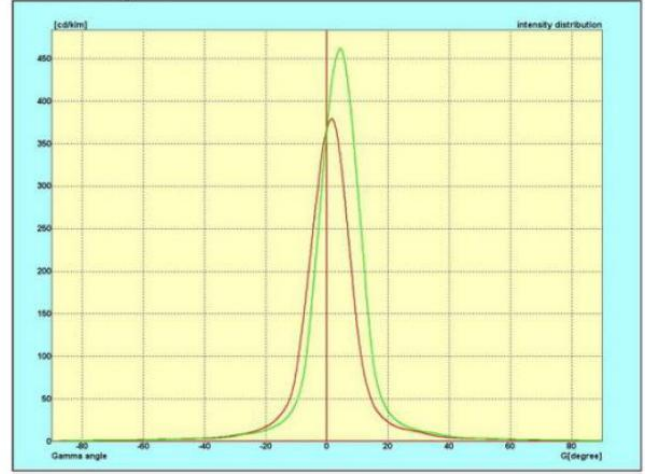
IF INPUT VOLTAGE	WORKING VOLTAGE	LED POWER CONSUMPTION	TOTAL POWER CONSUMPTION	OPERATING TEMPERATURE
12VDC	8 - 16V	1.3W	1.6W	-40 DEGREES - +40 DEGREES C
12VAC	8 - 16V	1.2W	1.8W	-40 DEGREES - +40 DEGREES C

Polar & Certesian Diagram

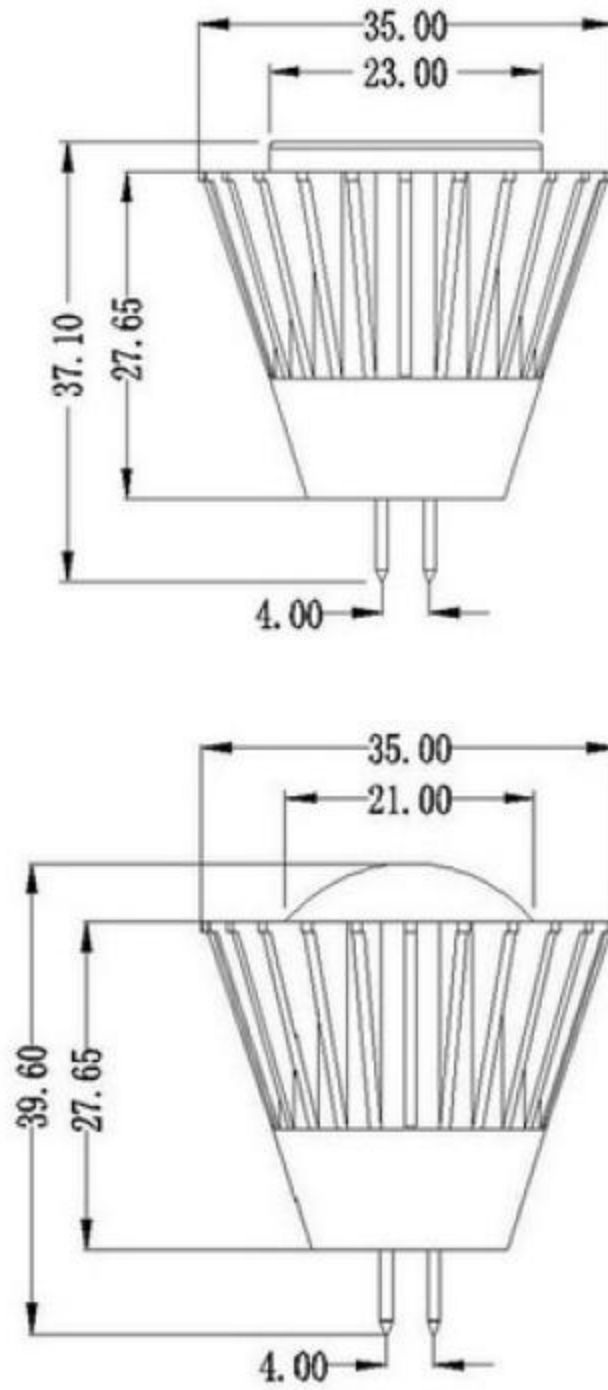
1. Polar Diagram



2. Certesian Diagram



Mechanical Dimension (mm)



Fixture Compatibility

The LED MR11 2W lamp is not compatible with all MR11 fixtures. Before installation, please read the following guidelines:

- MR 11 LED cannot be install in sealed fixtures
- MR 11 LED cannot be install in outdoor fixtures
- MR 11 LED is not designed for use in wet environment
- MR 11 LED is not compatible with fixtures which have integrated electrical type AC transformers
- MR 11 LED cannot be install in a fixture which an integral primary optics to focus the light

Transformer Compatibility

Two types of low-voltage transformers are used with traditional Halogen lamps; magnetic AC12V and electronic AC12V. Consider the following when selecting transformers for use with MR 11 LED.

- **AC12V Magnetic Transformer**

The LED bulb is compatible with magnetic transformers used 12V halogens; however, magnetic transformers are heavier, less efficient, and make noise. Under 12VAC condition, MR 11 LED can only present 90% lighting comparing the condition under 12DC.

- **AC12V Electronic Transformer**

The LED bulb is not compatible with electronic transformers or electronic-magnetic AC12V due to the output section of this kind of transformers are not stable. Besides, some electronic transformer require a minimum load higher than 5-10Watt in order to work properly. – Symptoms of incompatibility include: no light output, flickering, strobe and randomly shut down.

- **DC 12V Power Supply:**

MR 11 LED can perform highest brightness and power efficiency under DC12V power supply.

- **DC Constant Current Driver:**

MR 11 LED can also perform high efficiency with constant current driver which is greater than 8VDC of output section.

Safety & Environment Specifications

MR II 12V AC/DC LED bulbs are manufactured to conform safety criteria for CE, FCC approvals & RoHS:

Certificated Mark	Item of certificated standard
CE	<u>EMC</u> : EN55015, EN61000-3-2, EN61000-3-3, EN61547 (IEC61000-4-2, IEC61000-4-3, IEC61000-4-4, IEC61000-4-5, IEC61000-4-6, IEC61000-4-8, IEC61000-4-11) <u>LVD</u> : EN60968-1, EN60598-1, EN61347-2-13
F.C.C	PART 15B
RoHS	BTRS0605180105 Test Standard: 2002/95/EC ; EPA3050B: 1996, EN1122: 2001, EPA3052: 1996, EPA3060A, EPA7196, EPA7196, EPA3540C, EPA8270C



Life, Reliability and Lumen Maintenance

