

R & C Agency International Pty Ltd

Specification

LED/ES/PAR38CW

LED/ES/PAR38WW

TEL: (07) 3216 2888

FAX: (07) 3216 2999

WEB: www.rcagency.com.au

Email: sales@rcagency.com.au



PAR38 LED LAMPS

R & C 18 Watt PAR38 ES based LED lamp was integrated with the most advanced LED sources, assembled with the key components of driver (power), thermal and optic, 18 Watt ES LED provides the quantity and quality of light produced by traditional halogen lamp.

LED Source – Energy Saving, Trusty Life and True Colour

Selected R & C LED light source were manufactured by leading LED companies such as, Nichia, Cree and Lumileds. LED source which R & C collected is not less than 80lm/W and true colour, C.R.I + 75.

Driving Source – Energy Saving, Life, Reliability & Safety

R & C is an import company that imports drivers and controllers. To meet the life standard of LED and produce the most energy saving lamp source, all integrated drivers for R & C bulbs reach power efficiency 75 - 85%, components life >50K hr under 80 degrees centigrade. Our LED conformed to the EMI and safety principle in the advanced countries.

Thermal – Life, Reliability

A good thermal management for a LED lamp source was consisted by different

factors including LED emitting efficiency, driver efficiency, thermal design and materials characteristic.

Features

- High C.R.I > 75
- Long Life, min 20 Khrs up to 50K hrs
- Various beam angel: 20 $\frac{1}{2}$ degrees (40 degree)
- Replacement with 120W Halogen
- Energy Saving, Total power consumption up to 20 Watt
- No UV or IR
- RoHS Compliant



Specification

LED TYPE	COLOUR TEMP.	C.R.I./ MIN.	INPUT VOLATGE	POWER CONSUMPTION	BEAM ANGLE 2θ1/2	LUMENOUS FLUX	LAMPHOLDE R	LUMEN / WATT
CREE	2580K-3500K 5500K-6500K	80 / 75	100 - 240VAC	20W	40	1300 / 1000	ES	65 / 50

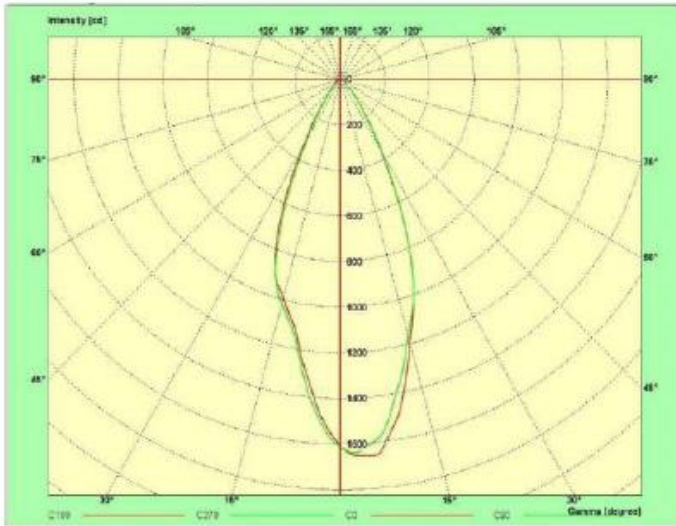
Typical Illumination Characteristic

COLOUR	BEAM ANGEL 2θ1/2	CANDELA cd / klm	ILLUMINATION (LUX) / SPOT DIAMETER						
			30 cm	50 cm	100 cm	150 cm	200 cm	250 cm	280 cm
COOL WHITE	40	1614	16480 / 55cm	6576 / 75cm	1614	736	409.6	271.2	220.16
WARM WHITE	40	1259	12854 / 55cm	5128 / 75cm	1259	572	319	211	171

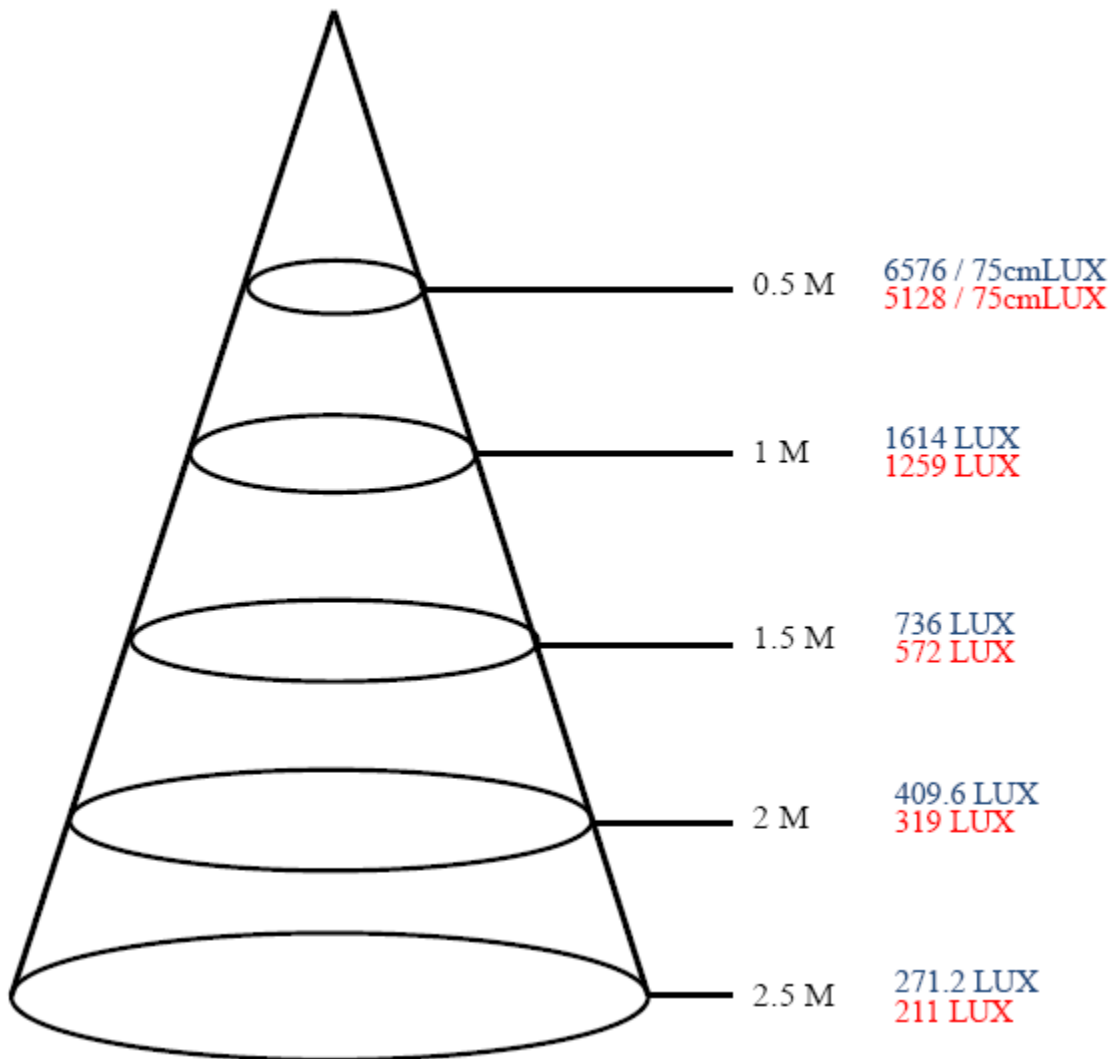
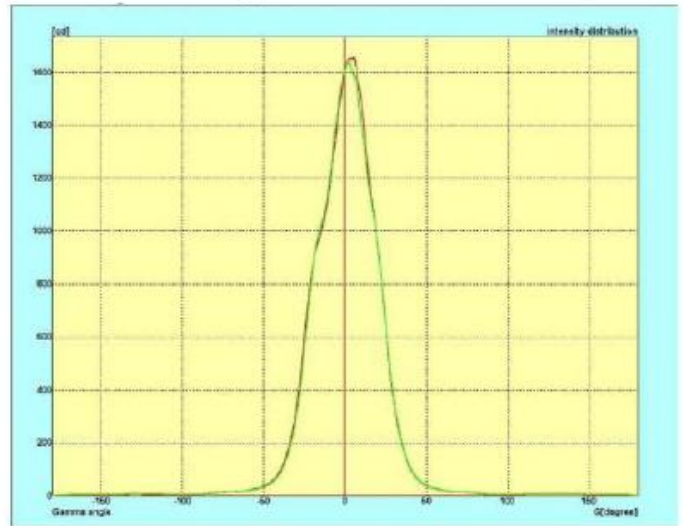
Electrical / Environmental Characteristic

IF INPUT VOLTAGE	WORKING VOLTAGE	LED POWER CONSUMPTION	TOTAL POWER CONSUMPTION	OPERATING TEMPERATURE
220VAC	100 - 240AC	18W	20W	-40 DEGREES - +40 DEGREES C

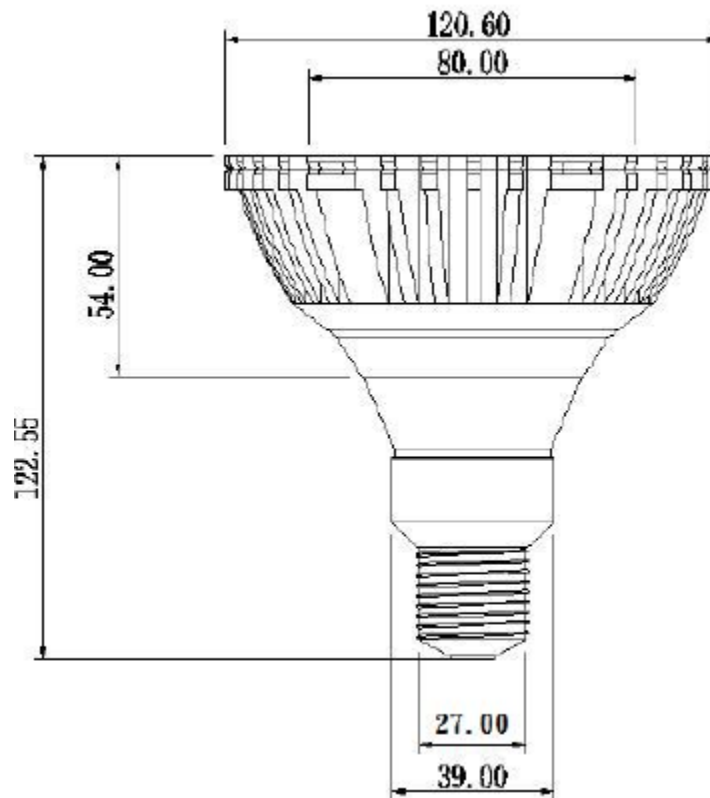
1. Polar Diagram



2. Cartesian Diagram



Mechanical Dimension (mm)



Fixture Compatibility

The LED PAR38 lamp is not compatible with all PAR38 fixtures. Before installation, please read the following guidelines:

- PAR38 cannot be installed in sealed fixtures.
- PAR38 cannot be installed in outdoor fixtures.
- PAR38 is not designed for use in wet environment
- PAR38 cannot install in a fixture which an integral primary optics to focus the light.

Safety & Environment Specifications

PAR38 LED bulbs are manufactured to conform safety criteria for CE, FCC approvals & RoHS:

Although PAR38 are suitable for indoor and outdoor application, extreme care should be taken in wet condition when working with main powered devices.

Certificated Mark	Item of certificated standard
CE	EMC: EN55015, EN61000-3-2, EN61000-3-3, EN61547 (IEC61000-4-2, IEC61000-4-3, IEC61000-4-4, IEC61000-4-5, IEC61000-4-6, IEC61000-4-8, IEC61000-4-11) LVD: EN60968-1, EN60598-1, EN61347-2-13
F.C.C	PART 15B
RoHS	BTRS0605180105 Test Standard: 2002/95/EC ; EPA3050B:1996, EN1122:2001, EPA3052:1996, EPA3060A, EPA7196, EPA7196, EPA3540C, EPA8270C



Life, Reliability and Lumen Maintenance

