

R & C Agency International Pty Ltd

Specification

LED/ES/PAR30CWZ

LED/ES/PAR30WWZ

TEL: (07) 3216 2888

FAX: (07) 3216 2999

WEB: www.rcagency.com.au

Email: sales@rcagency.com.au



PAR 30 LED WITH ZOOM

R & C 12 Watt PAR30 LED lamp with the zoom function was integrated with the most advanced LED sources, assembled with the key components of driver (power), thermal and optic, PAR30 provides the quantity and quality of light produced by traditional halogen lamp.

LED Source – Energy Saving, Trusty Life and True Colour

Selected R & C LED light source were manufactured by leading LED companies such as, Nichia, Cree and Lumileds. LED source which R & C collected is not less than 80lm/W and true colour, C.R.I + 75.

Driving Source – Energy Saving, Life, Reliability & Safety

R & C is an import company that imports drivers and controllers. To meet the life standard of LED and produce the most energy saving lamp source, all integrated drivers for R & C bulbs reach power efficiency 75 - 85%, components life >50K hr under 80 degrees centigrade. Our LED conformed to the EMI and safety principle in the advanced countries.

Thermal – Life, Reliability

A good thermal management for a LED lamp source was consisted by different factors including LED emitting efficiency, driver efficiency, thermal design and materials characteristic.

Features

- Professional design to efficiently work components of power, thermal solutions and optics
- Reliable quality and flexible lead time
- CRI(RA): Warm White+80 / Cool White+70
- Available White : 2,500-6,500K CCT
- Long lifetime : Min 20,000 hours, Typical 40,000 hours



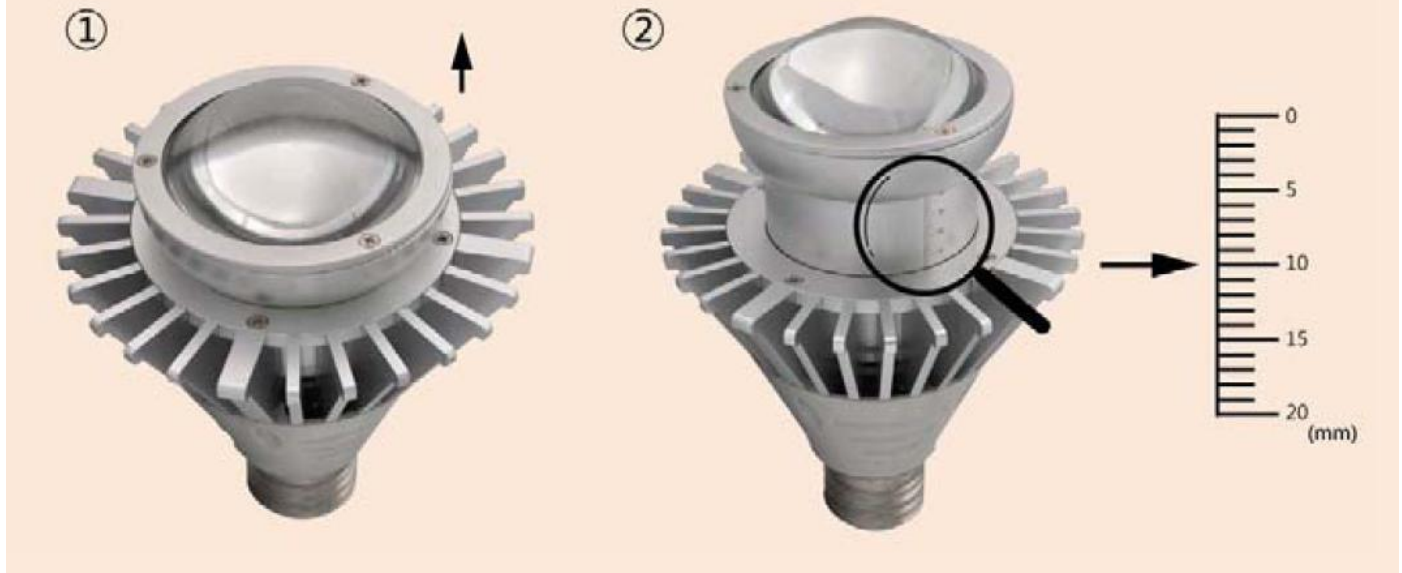
Specification

LED TYPE	COLOUR TEMP.	C.R.I./ MIN.	INPUT VOLATGE	POWER CONSUMPTION	BEAM ANGLE 2θ1/2	LUMENOUS FLUX	LAMPHOLDER	LUMEN / WATT
CREE	2500K-3200K 5000K-6500K	70 / 80	220-240V	12W	15 - 67	393 / 323	ES27	39 / 32

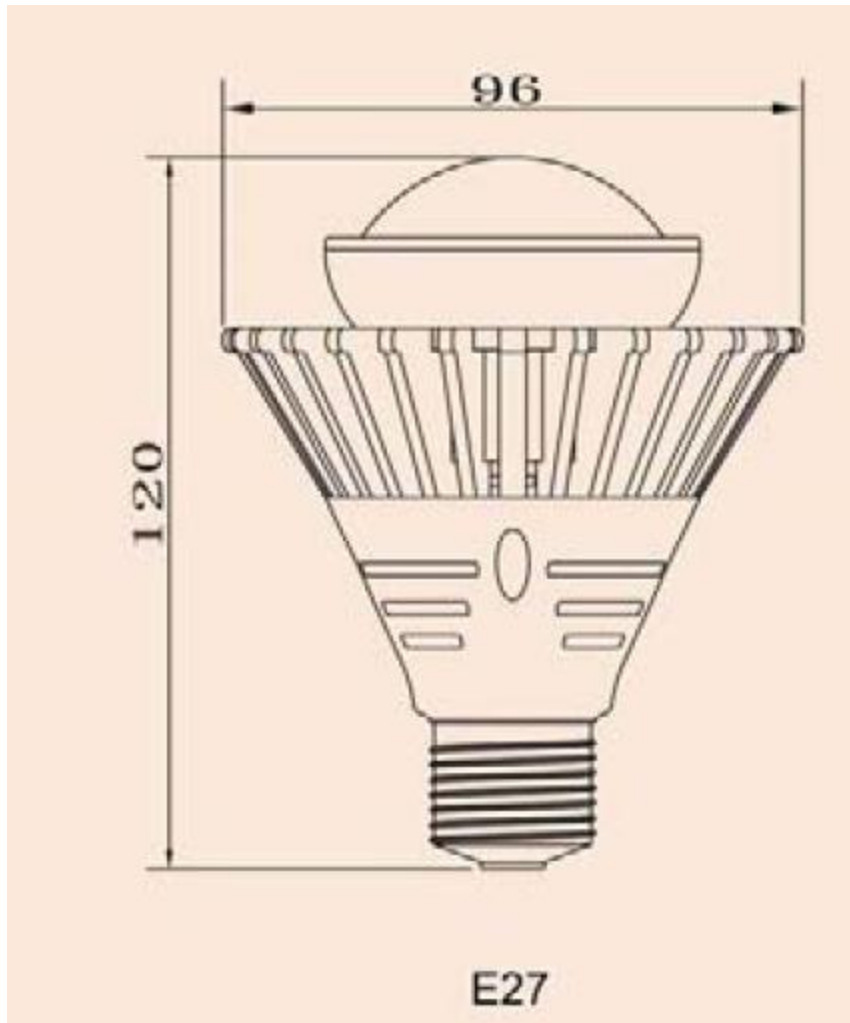
Electrical / Environmental Characteristic

IF INPUT VOLTAGE	WORKING VOLTAGE	LED POWER CONSUMPTION	TOTAL POWER CONSUMPTION	OPERATING TEMPERATURE
220VAC	100 - 240AC	10W	12W	-20°-+40°C

Adjustable Range for Angle

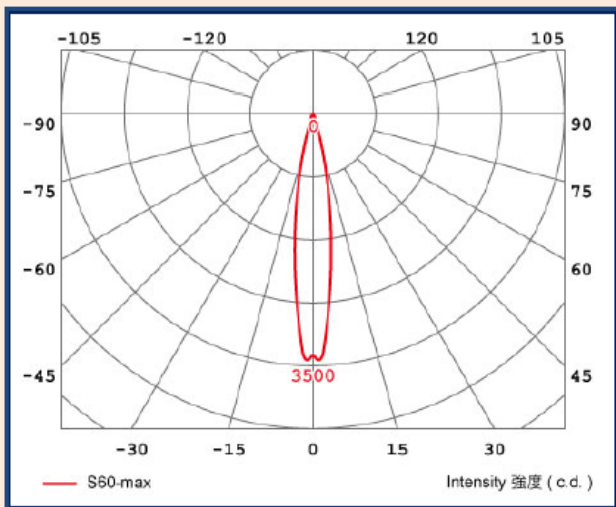


Mechanical Dimension (mm)

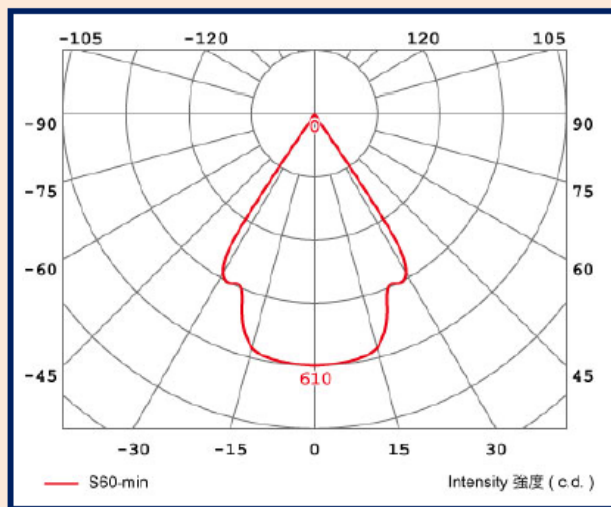


Cree MCE- Cool White

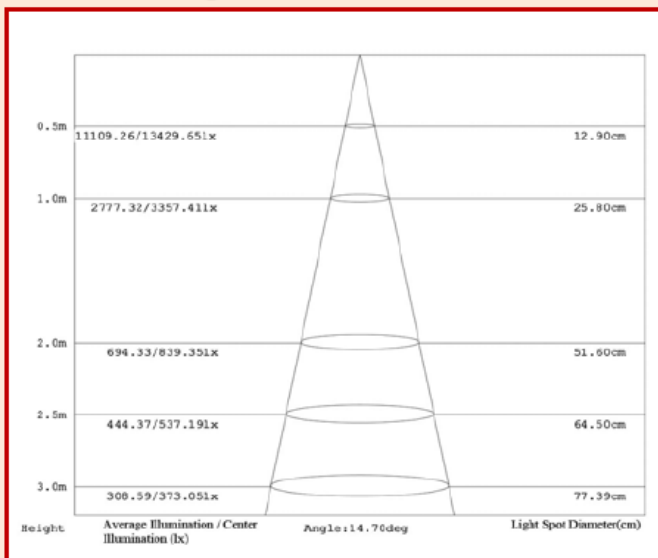
Polar Diagram (MAX)



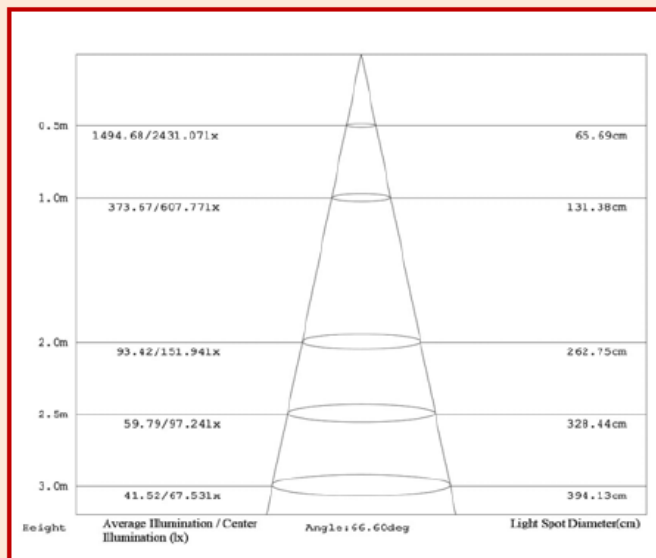
(MIN)



Illuminance Figure



S60/14.7° (Avg.14.7°)

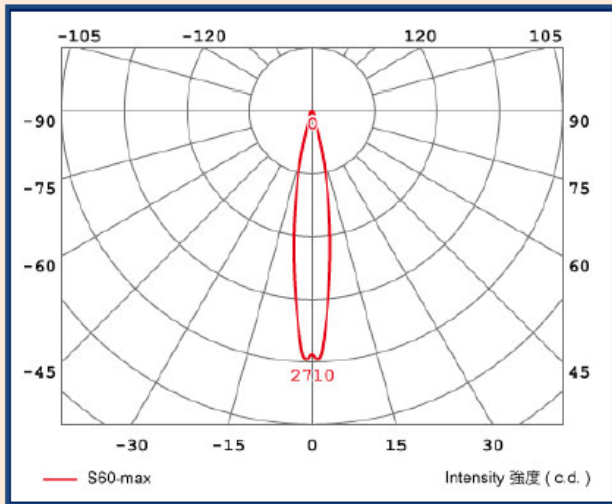


S60/66.6° (Avg.66.6°)

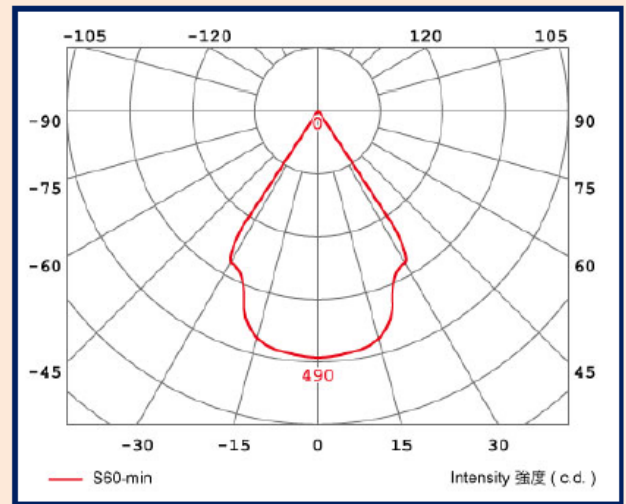
Cree MCE -Warm White

Polar Diagram

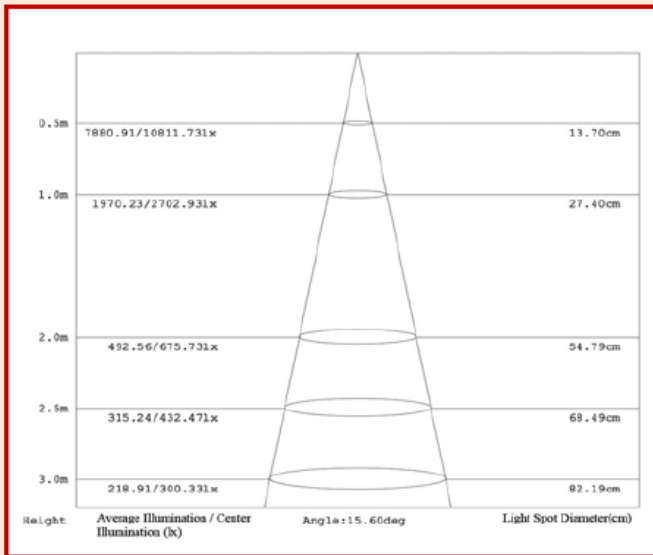
(MAX)



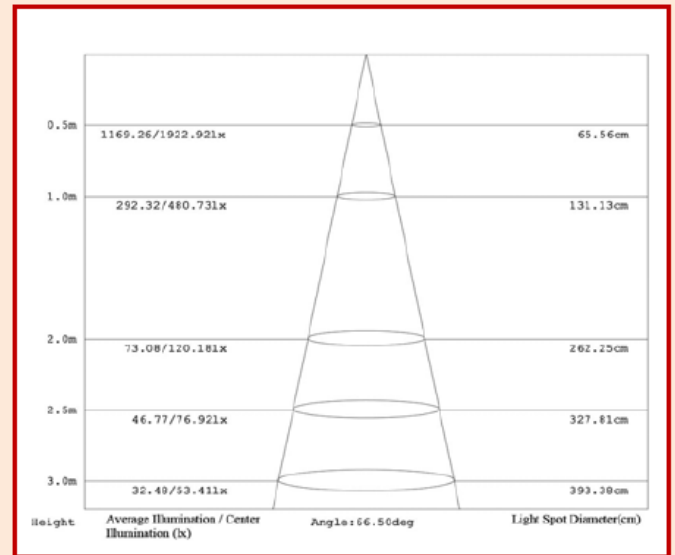
(MIN)



Illuminance Figure



S60/15.6° (Avg.15.6°)



S60/66.5° (Avg.66.5°)

Fixture Compatibility

The LED PAR30 lamp is not compatible with all PAR30 fixtures. Before installation, please read the following guidelines:

- PAR30 LED cannot be install in sealed fixtures
- PAR30 LED cannot be install in outdoor fixtures
- PAR30 LED is not designed for use in wet environment
- PAR30 LED cannot be install in a fixture which an integral primary optics to focus the light

Life, Reliability and Lumen Maintenance

