

R & C Agency International Pty Ltd

Specification

LED/ES/PAR30CW

LED/ES/PAR30WW

TEL: (07) 3216 2888

FAX: (07) 3216 2999

WEB: www.rcagency.com.au

Email: sales@rcagency.com.au



PAR30 LED LAMPS

R & C 14 Watt PAR30 ES based LED lamp was integrated with the most advanced LED sources, assembled with the key components of driver (power), thermal and optic, 14 Watt ES LED provides the quantity and quality of light produced by traditional halogen lamp.

LED Source – Energy Saving, Trusty Life and True Colour

Selected R & C LED light source were manufactured by leading LED companies such as, Nichia, Cree and Lumileds. LED source which R & C collected is not less than 80lm/W and true colour, C.R.I + 75.

Driving Source – Energy Saving, Life, Reliability & Safety

R & C is an import company that imports drivers and controllers. To meet the life standard of LED and produce the most energy saving lamp source, all integrated drivers for R & C bulbs reach power efficiency 75 - 85%, components life >50K hr under 80 degrees centigrade. Our LED conformed to the EMI and safety principle in the advanced countries.

Thermal – Life, Reliability

A good thermal management for a LED lamp source was consisted by different factors including LED emitting efficiency, driver efficiency, thermal design and materials characteristic.

Features

- High C.R.I > 75

- Long Life, min 20 Khrs up to 50K hrs
- Various beam angel: 20/1/2 degrees (40 degree)
- Replacement with 75W Halogen
- Energy Saving, Total power consumption up to 14-15 Watt
- No UV or IR
- RoHS Compliant



Specification

LED TYPE	COLOUR TEMP.	C.R.I./ MIN.	INPUT VOLATGE	POWER CONSUMPTION	BEAM ANGLE 2θ1/2	LUMENOUS FLUX	LAMPHOLDER	LUMEN / LUX
CREE	2580K-3500K 5500K-6500K	80 / 75	100 - 240VAC	14W - 15W	40	900 / 720	ES	60 / 48

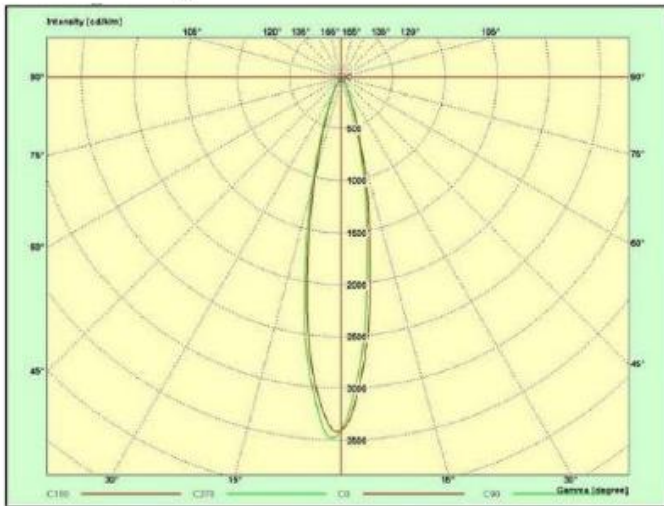
Typical Illumination Characteristic

COLOUR	BEAM ANGEL 2θ1/2	CANDELA cd / klm	ILLUMINATION (LUX) / SPOT DIAMETER						
			30 cm	50 cm	100 cm	150 cm	200 cm	250 cm	280 cm
COOL WHITE	40	1009	10300 / 60cm	4110 / 75cm	1009	460	256	169.5	137.6
WARM WHITE	40	787	8034 / 60cm	3205 / 75cm	787	358	199.6	132.2	107.3

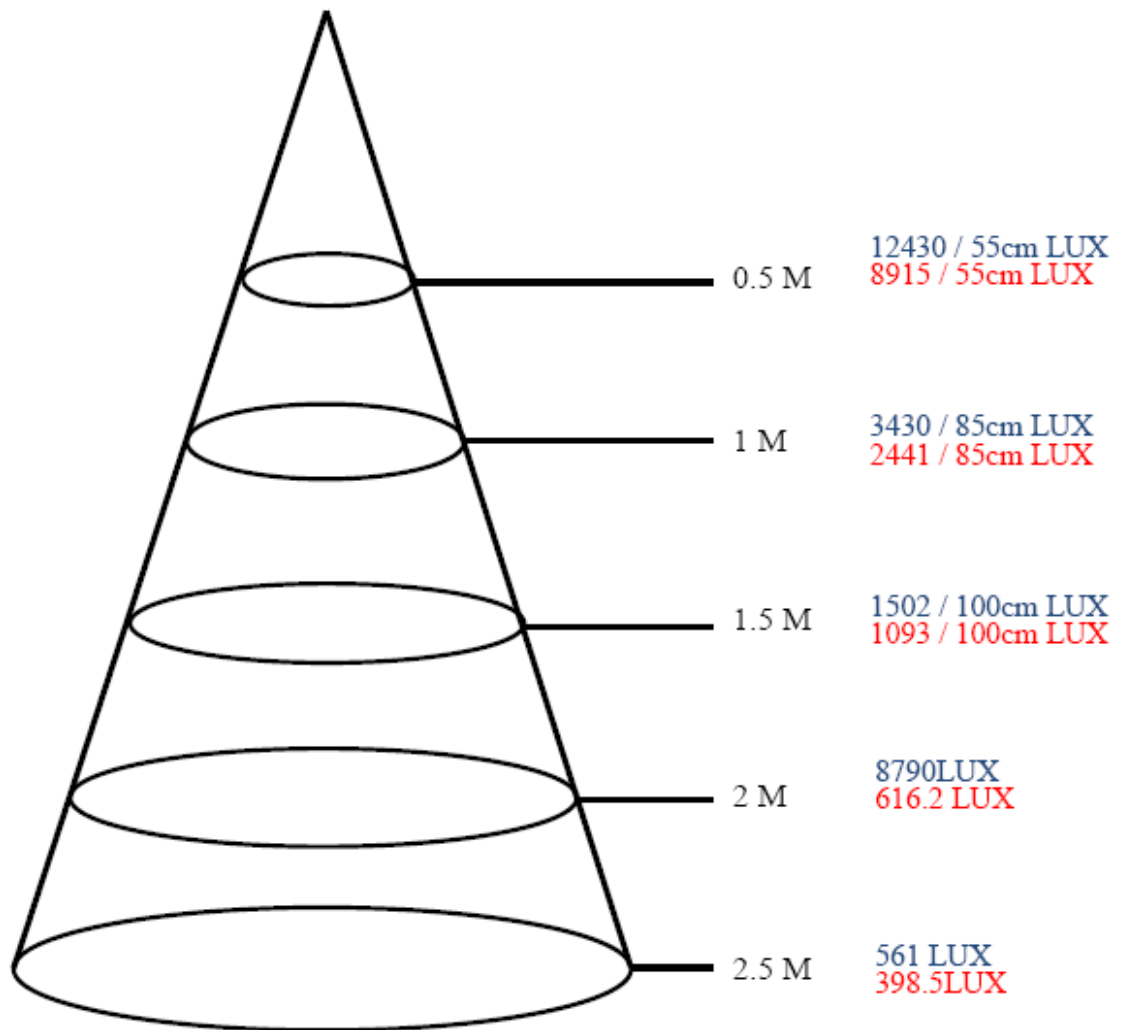
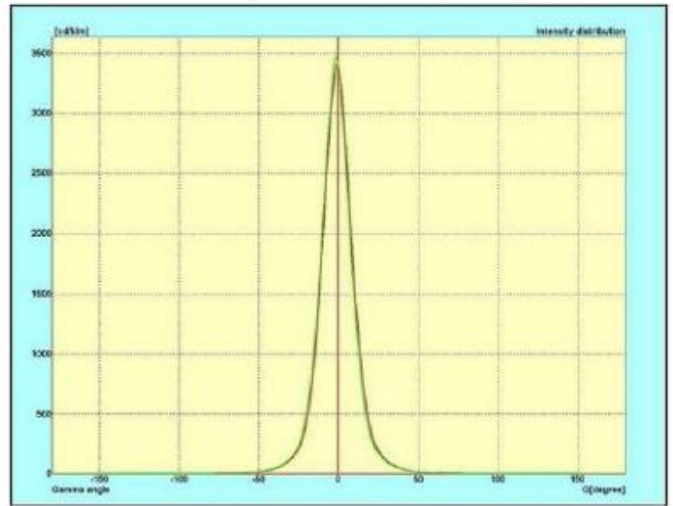
Electrical / Environmental Characteristic

IF INPUT VOLTAGE	WORKING VOLTAGE	LED POWER CONSUMPTION	TOTAL POWER CONSUMPTION	OPERATING TEMPERATURE
220VAC	100 - 240AC	12W	14.0 - 15.0W	-40 DEGREES - +40 DEGREES C

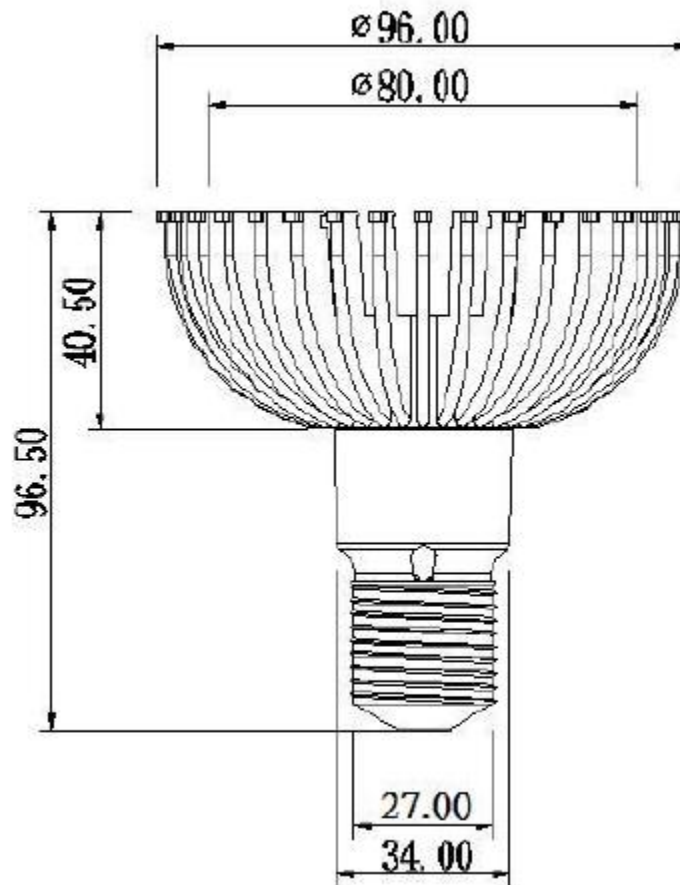
1. Polar Diagram



2. Certesian Diagram



Mechanical Dimension (mm)



Fixture Compatibility

The LED PAR30 lamp is not compatible with all PAR30 fixtures. Before installation, please read the following guidelines:

- PAR30 LED cannot be install in sealed fixtures
- PAR30 LED cannot be install in outdoor fixtures
- PAR30 LED is not designed for use in wet environment
- PAR30 LED cannot be install in a fixture which an integral primary optics to focus the light

Safety & Environment Specifications

PAR30 LED bulbs are manufactured to conform safety criteria for CE, FCC approvals & RoHS:

Certificated Mark	Item of certificated standard
CE	EMC: EN55015, EN61000-3-2, EN61000-3-3, EN61547 (IEC61000-4-2, IEC61000-4-3, IEC61000-4-4, IEC61000-4-5, IEC61000-4-6, IEC61000-4-8, IEC61000-4-11) LVD: EN60968-1, EN60598-1, EN61347-2-13
F.C.C	PART 15B
RoHS	BTRS0605180105 Test Standard: 2002/95/EC ; EPA3050B:1996, EN1122:2001, EPA3052:1996, EPA3060A, EPA7196, EPA7196, EPA3540C, EPA8270C



Life, Reliability and Lumen Maintenance

