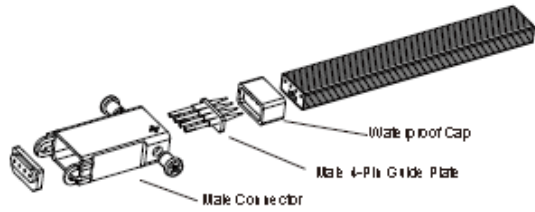


## B. Male Connector Fabrication



1



Insert the waterproof cap into the light strip, make sure the stopper's cavities are line up with light strip's bare copper wire

2



Use tool to push the male 4-pin guide plate into the light strip (Make sure the male 4-pin guide plate remain flat at all time while connected onto the light strip)

3



Connect the male connector with the light strip, make sure the connector completely covers the male 4-pin guide plate

4



Secure the light strip in position by using the supplied special screw driver

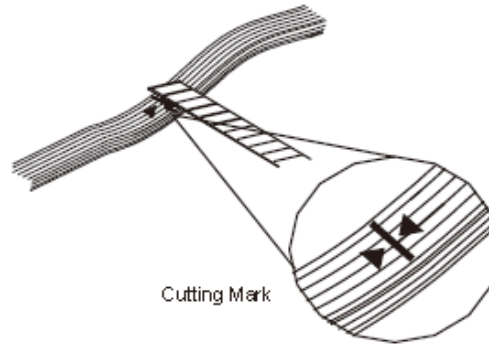
5



Male connector fabrication complete

## A. Field Cutting

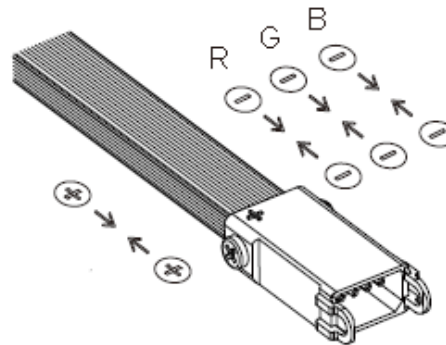
1



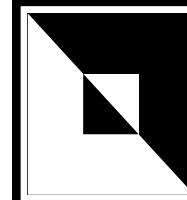
Cutting Mark

Please refer to the cutting mark (Bold Black Line) before cutting the light strip to the desired length. Refer to product specification for the cutting length and recommend maximum single run of light strip.

2

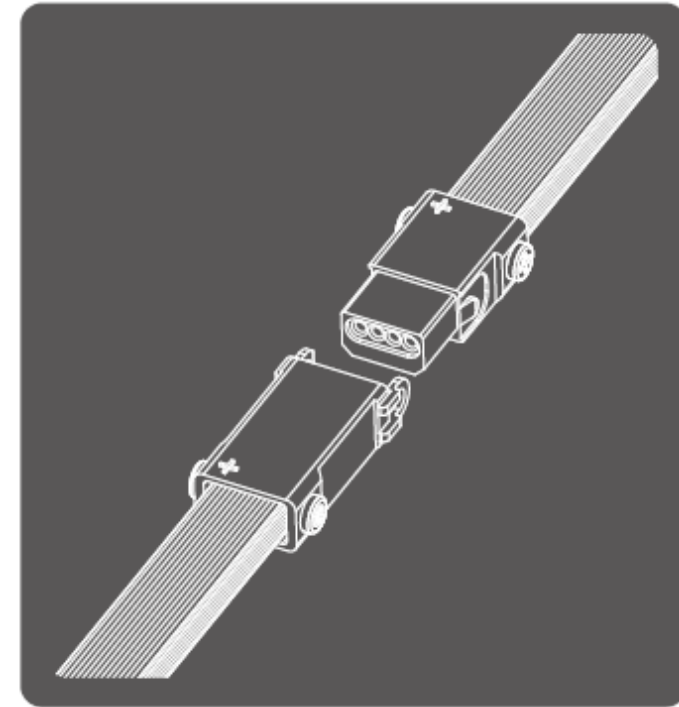


Line up the positive and negative polarity markings on both the male connector and the light strip. Firmly connect light strip with the connector.



R & C Agency (International)  
Pty Ltd

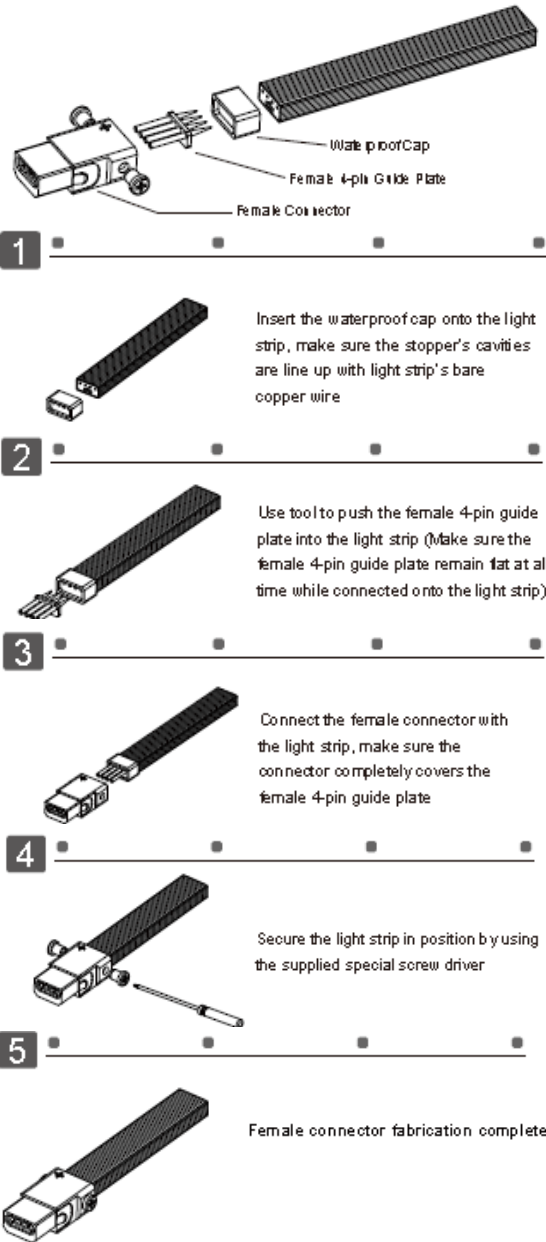
## LED SNAKE ROPE LIGHT 12V/24V (RGB)



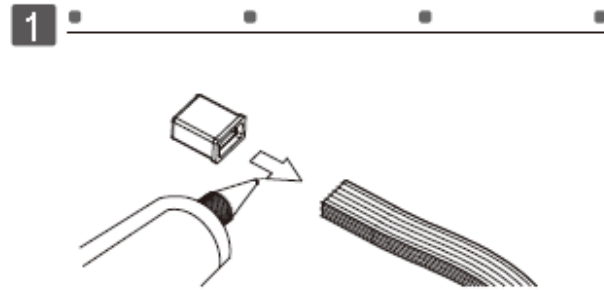
## Installation Instructions

CE IP 67

## B. Female Connector Fabrication



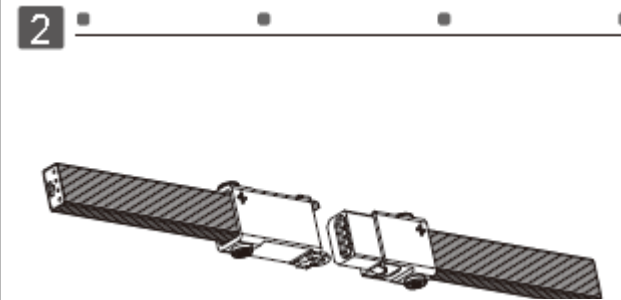
## C. Install End Cap or Connect to another LED Snake Rope Light



(Optional) - When no extension is required, disconnect both light strips from power and place the end cap over the dead end of the light strip and secure it by using glue or silicone to ensure that the light strips are protected against water

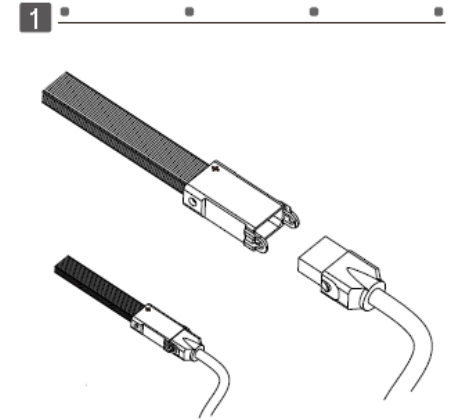


For a better environment resistance, you can use female end cap to connect with female connector and secure it by using glue or silicone.



(Optional) - If extension is required, place female connector over the dead end of one light strip and place the male connector over the dead end of the other light strip, then tightly connect them together.

## D. Connect to Power



Connect the light strip to the power supply and make sure the positive polarity are inline with the male connector's "+"

## E. Installation Procedures

### LED Snake to Power Connection - With Extension

If you would like to reserve the possibility of extending LED Snake Rope Light in the future, please refer to the following procedures.



### LED Snake to Power Connection - Without Extension

If you do not wish to extend LED Snake Rope Light connection, please refer to the following procedures.

