

MOUNTING ACCESSORIES

End Cap



LEDSNA-24-END

Cutting End Cap

Wood Nail Clip



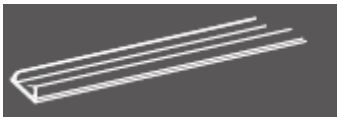
LEDSNA-24-CLIP

Wood Nail Clip

Tie Strip



Plastic Channel



LEDSNA-24-CHAN

6x12 1 M U Type Plastic Channel

ACCESSORIES

Connector + Molded Connector



LEDSNA-24-POWER

1.5F Wire

Male & Female Connector



LEDSNA-24-INL

In-Line Connector Set
(Male and Female)

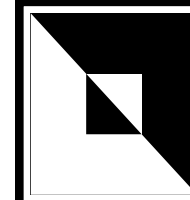
RGB Controller & Transformer



LEDRGB12VDC-CON

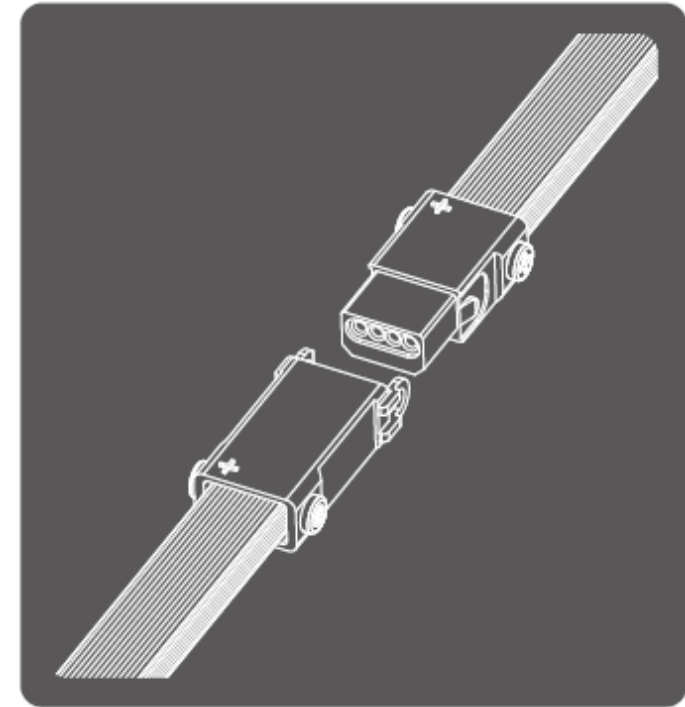


LEDRGB24VDC-CON



R & C Agency (International)
Pty Ltd

LED SNAKE ROPE LIGHT (RGB)

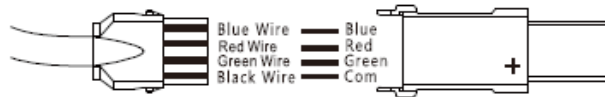


ACCESSORIES AND SPECIFICATION

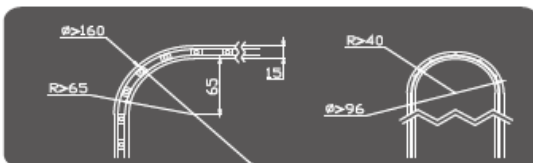
CE IP 67

WARNING & CAUTIONS

1. All the electrical operations should be carried out by a qualified electrician
2. Please refer to the product specification table for all the electrical information which will assist you during the installation operations
3. In order to install LED Snake RGB Rope Light outdoor, you'll need to purchase an approved electrical enclosure for the power supply, at the same time apply the connectors with glue or silicone to ensure it is waterproof
4. When joining two LED Snake RGB Rope Lights into one, make sure the light strip doesn't exceed the recommended maximum single run.
(Please refer to product specification table)
5. When connecting LED Snake RGB Rope Lights with power cord, make sure the connector are connected in accordance with its matched colour with the exception of Com which should be connect to Black power wire)



6. Do not connect the light strip to power source during installation, and make sure the light strips aren't over lapped
7. To reach the maximum lifetime of light strip, please use approved mounting accessories
8. Do not immerse connector, end cap and power cord into water
9. Do not operate light strip when it is coiled
10. Do not apply over 16kg of tensile force onto LED Snake RGB Rope Light
11. Do not bend the LED Snake RGB Rope Light towards the incorrect direction or exceed certain degrees of angle (Please refer to below diagram)



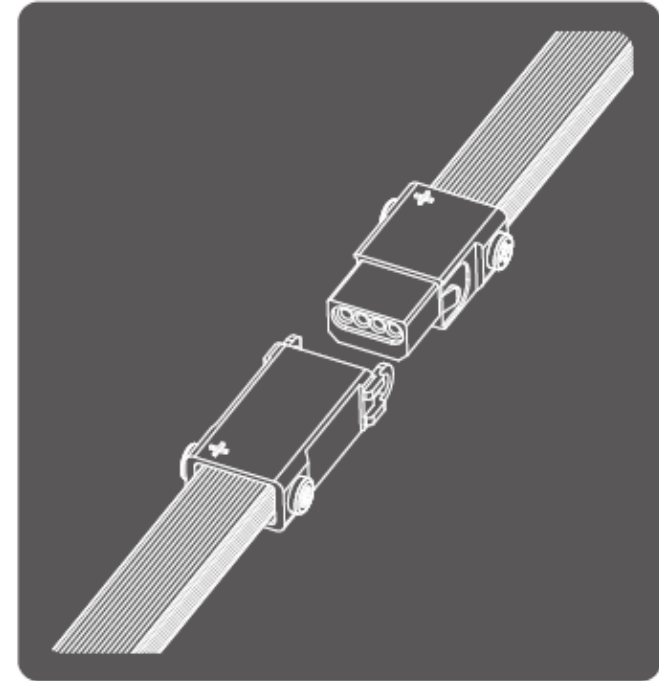
SPECIFICATION

LED Snake RGB Rope Dimension:

15 mm x 7.6 mm ($\pm 0.5\text{mm}$)

LEDSNA-24-RGB [24V, LED Spacing 3.1 cm]

LED Colour	RGB
Voltage	DC 24V
Number Per Section	6 PCs
Cutting Length	16.5 cm
Max. Single Run	30 m
Power Consumption	5.28 W / m



**R & C Agency
(International) Pty Ltd**

80 Yarraman place
VIRGINIA QLD 4014

Phone: 07 3216 2888
Fax: 07 3216 2999
E-mail: sales@rcagency.com.au.